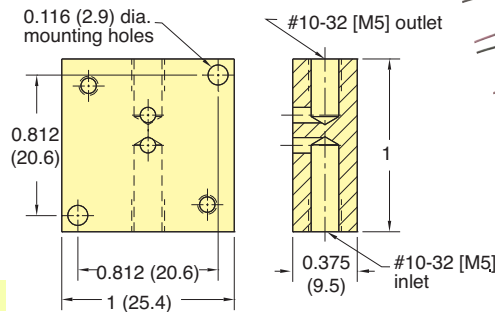


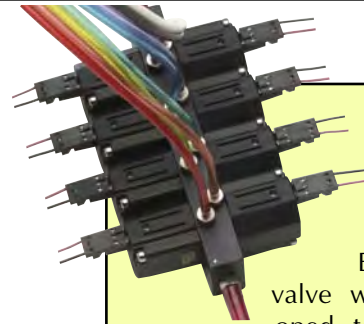


ES & ESO SERIES VALVES SINGLE MANIFOLDS

Single-Station Side Port Manifold

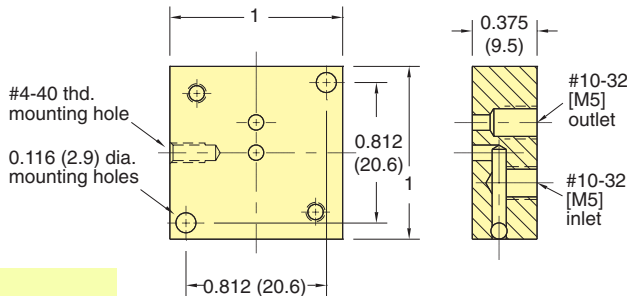


Part No. 26090-1
Description Side Port Manifold



The ES/ESO series valve was developed to fit into tighter physical envelopes. By reducing the size of the base as well as the size of the coil, a considerable volume savings was achieved.

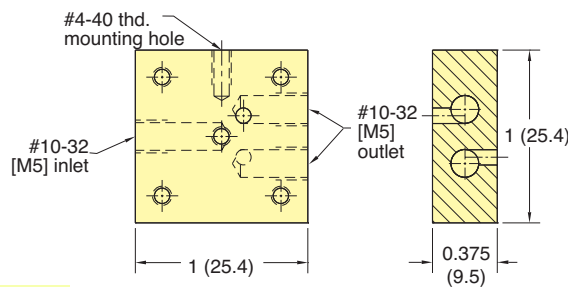
Single-Station Bottom Port Manifold



Part No. 26090-2
Description Bottom Port Manifold

As in the case of the EV/EVO product, the ES/ESO uses the single moving part design proven many times in the EV/ET/EC series valves. Of course, given the reduced size of the coil the power to operate increases to 1 watt.

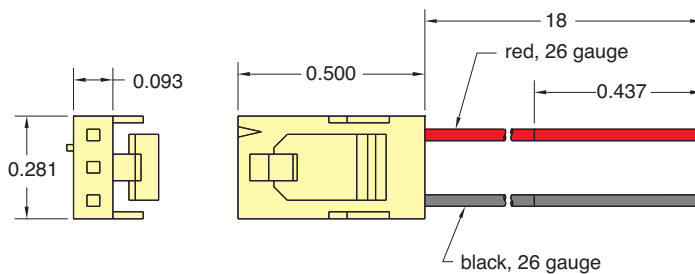
Dual-Station Manifold



Part No. 26090-3
Description Dual Station Manifold

Because of its reliability, the ES/ESO series valve is found in many of the same applications and industries as its predecessor, the EV/ET/EC. However, the smaller size finds it used more commonly in portable or mobile equipment. This makes the valve particularly applicable in home healthcare applications.

TE Connectivity #5-103956-2 with 18" Wire Leads for ES/ESO Valves



Lead Set Chart For ES Valve						
Part No.	Used On	Wire Colors			Lead Length	Wire Gauge
		Pin 1	Pin 2	Pin 3		
C3-RXB18	ES	red	~	black	18"	#26